

VF-FEINTECHNIK GmbH

# Shutter (opening only by insert ISO-Cards)

Mouth-piece for Card-readers,  
several options available

## Specification



V 1.4

| Stand | Änderungen         | Kürzel | Datum      |
|-------|--------------------|--------|------------|
| V1.4  | Erweiterung Bilder | MV     | 06.12.2014 |

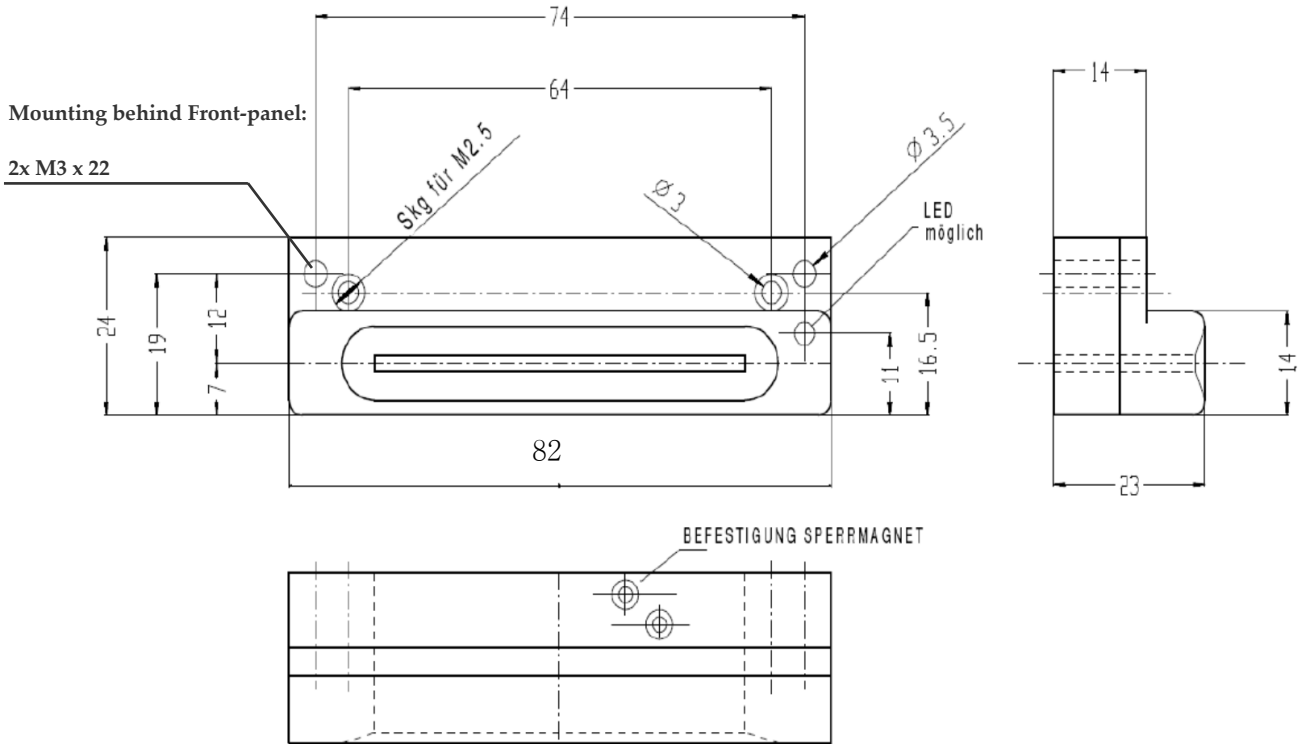


The Shutter prevents weather, dust and other things like coins. So you get a longer life for the Card-reader and the whole system and housing.

**Further options:**

- electromagnetically (solenoid) **lockable** version  
(opening function can be blocked)
- **light barrier signal**  
(detection whether card is insert or not)
- **RGB - LED - signal** in the front  
(ability to give signals to the user)
- **RGB - LED - illumination** of card-slot  
(ability to give signals to the user)



**Mechanical drawing:**

Unit: (mm); Tolerances +/- 0,2mm; technical changes reserved.

**Front-panel cut-out:** min. 82,2 x 14,2mm with 4 x R2**General Characteristics (only for the Shutter):**

|  |                                      |
|--|--------------------------------------|
| Recommended card thickness (min. - max.)           | 0,6 – 1,2 mm                         |
| Service life (depends on environmental influences) | mechanic: Ca. 400 000 cycles         |
| Operating power supply (Lockable version)          | 12 VDC ±10% (6 VDC optional)         |
| Waiting current consumption (")                    | Up to 20 mA                          |
| Operating current consumption (")                  | Up to 120 mA                         |
| Start-up, reverse current consumption (")          | Up to 200 mA                         |
| Mounting location                                  | indoors and outdoors                 |
| Operating ambient temperature                      | -25°C to 85°C                        |
| Operating ambient humidity                         | 30% to 85% RH (without condensation) |

Material of housing: POM – copolymer ISO 9988, Fire class HB: UL 94

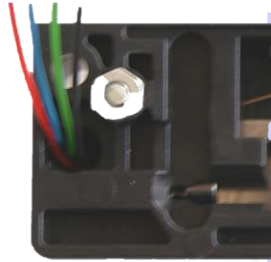
Material mechanic: VA-steel DIN 1.4301

Protection class IP54, ROHS-conformable



## Pins for the illumination of card-slot

1 2 3 4



Belegung der LED-Ansteuerung:

-> Mixed colour possible!

1: „red“

2: „blue“

3: „green“

4: +5V (DC)